



CHECK VALVES

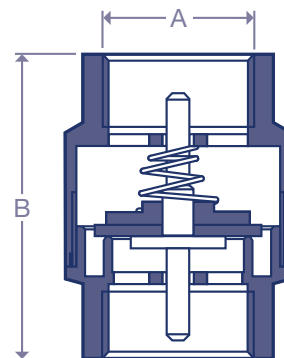
For Residential, Commercial, Industrial and Solar Applications

Spring Check Valve

- Features: Conical lead-free check for full fluid flow
- PTFE seat
- Install in horizontal or vertical position with vertical flow
- Low pressure drop equivalent to a swing check
- Stainless steel guide, rod and spring
- Silent operation
- Threaded ends (NPT)
- Up to 200 PSI



Spring Check Valve

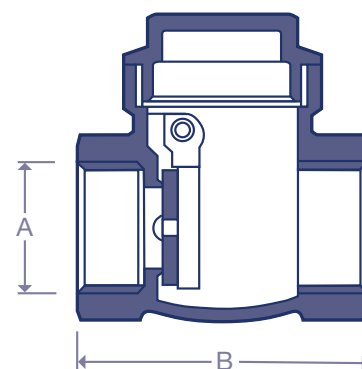


Swing (Gated) Check Valve

- Lead free brass for commercial, industrial or residential use
- PTFE seat
- Install in ONLY the horizontal position
- Female NPT threaded connections
- Up to 200 PSI



Swing Check Valve



CHECK VALVE SPECS

PRODUCT NUMBER	MOUNT	CONNECTION	DIMENSIONS		THREAD SIZE	MATERIAL
			A	B		
CV12SPRING	Vertical or Horizontal	1/2" Female	1/2"	2 1/8"	1/2" NPT	Solid Brass
CV34SPRING	Vertical or Horizontal	3/4" Female	3/4"	2 1/2"	3/4" NPT	Solid Brass
CV1SPRING	Vertical or Horizontal	1" Female	1"	3 1/8"	1" NPT	Solid Brass
CV125SPRING	Vertical or Horizontal	1 1/4" Female	1 1/4"	3 3/4"	1 1/4" NPT	Solid Brass
CV150SPRING	Vertical or Horizontal	1 1/2" Female	1 1/2"	4"	1 1/2" NPT	Solid Brass
CV2SPRING	Vertical or Horizontal	2" Female	2"	4 1/2"	2" NPT	Solid Brass
CV12GATED	Horizontal	1/2" Female	1/2"	1 3/4"	1/2" NPT	Solid Brass
CV34GATED	Horizontal	3/4" Female	3/4"	2 1/4"	3/4" NPT	Solid Brass
CV1GATED	Horizontal	1" Female	1"	2 1/2"	1" NPT	Solid Brass
CV125GATED	Horizontal	1 1/4" Female	1 1/4"	2 3/4"	1 1/4" NPT	Solid Brass
CV150GATED	Horizontal	1 1/2" Female	1 1/2"	3 1/4"	1 1/2" NPT	Solid Brass
CV2GATED	Horizontal	2" Female	2"	3 3/4"	2" NPT	Solid Brass