

MAID-O-MIST

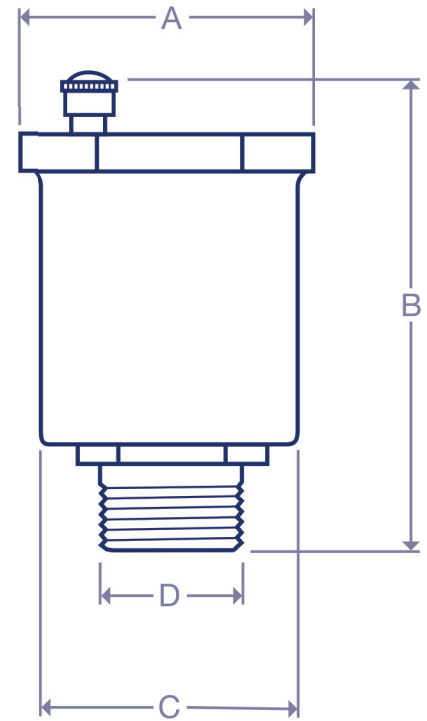
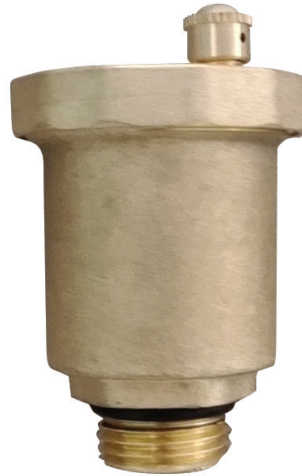


HIGH CAPACITY BRASS VENTS

For Residential or Commercial Heating and Cooling Systems

Purges and eliminates air in water lines, installs vertical at highest points on line.

A float type vent with a single non-adjustable port. For use on ordinary one-pipe system not requiring proportional venting. Maid-O'-Mist's brass Auto-Vent is an ideal automatic vent for hydronic and radiant heating applications. With the highest capacity rating available for a forged air vent in the 35-150 psi range, it will relieve air much faster than any other comparable automatic vent.



HIGH CAPACITY BRASS VENTS

PRODUCT NUMBER	DIMENSION A	DIMENSION B	DIMENSION C	DIMENSION D	MAX. VENTING PRESSURE	VENTING DIRECTION (DIR.)	FITTING	WEIGHT	MATERIAL
No. 670	1.85"	3.0"	1.5"	.4	50 lbs	Top	1/8" NPT	165g	Brushed brass
No. 675	1.4" - 1.9" incl. outlet	2.0"	1.3"	.4	50 lbs	Side	1/8" NPT	110g	Brushed brass
No. 850	1.77"	1.77"	1.5"	1/2"	150 lbs	Side	1/2"	165g	Brushed brass
No. 851	1.77"	1.77"	1.5"	3/4"	150 lbs	Side	3/4"	180g	Brushed brass
No. 852	1.77"	1.77"	1.5"	1"	150 lbs	Side	1"	185g	Brushed brass
No. 750	1.25"	2.750"	1.3"	1/2"	150 lbs	Top	1/2"	140g	Brushed brass
No. 751	1.25"	2.750"	1.3"	3/4"	150 lbs	Top	3/4"	145g	Brushed brass
No. 752	1.25"	2.750"	1.3"	1"	150 lbs	Top	1"	195g	Brushed brass
No. 950	1.77"	1.77"	1.5"	1/2"	150 lbs	Top	1/2"	165g	Brushed nickel
No. 951	1.77"	1.77"	1.5"	3/4"	150 lbs	Top	3/4"	180g	Brushed nickel
No. 952	1.77"	1.77"	1.5"	1"	150 lbs	Top	1"	185g	Brushed nickel



3217 N. Pulaski Rd. Chicago, IL 60641
773 685 7300 • contact@maidmist.com