

# MAIDOMIST



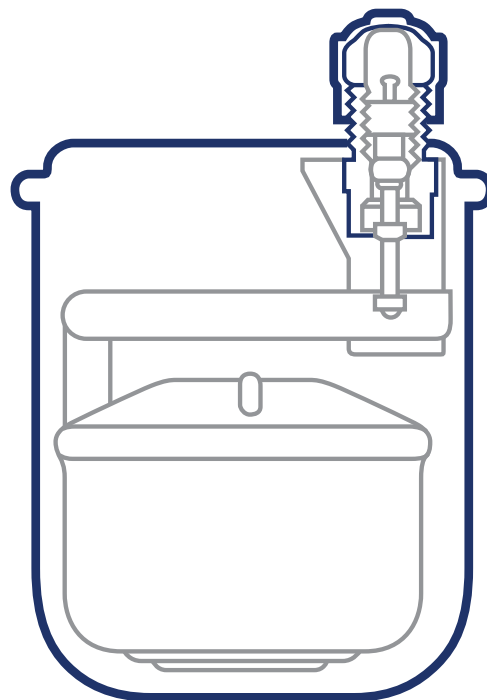
## AUTOMATIC AIR VALVES

### For All Hot Water and Solar Heating Systems

Correct problems and avoid trouble by installing these float-operated Auto-Vents. They vent air from mains, solar panels, pipe lines, boilers, unit heaters, chillers, convectors, radiant panels, coils, baseboard and free-standing radiation.

## SMALLER SIZED AUTO VENTS NO. 27 AND NO. 37

The No. 27 and 37 Auto-Vents® are dependable float-operated valves. Their construction and internal working parts are the same as the No. 7 Series Auto-Vents® except smaller in size. Made of non-ferrous metals.



## NO. 27 AND NO. 37 AUTO-VENT SPECS

PRODUCT NUMBER	MOUNT	CONNECTION	MAX. VENTING PRESSURE	SIZE	MATERIAL
No. 27	Horizontal mounting	1/8" I.P. female side connection	50 lbs.	3" x 2 1/2"	Copper finish with a polished brass cover
No. 37	Horizontal mounting	1/8" I.P. vertical male bottom connection	50 lbs.	3" x 2 1/2"	Copper finish with a polished brass cover



3196 N Kennicott Ave, Arlington Heights, IL 60641  
(773) 685-7300 • [contact@maidmist.com](mailto:contact@maidmist.com)